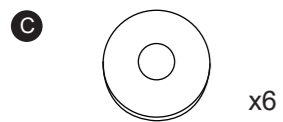
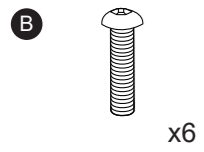
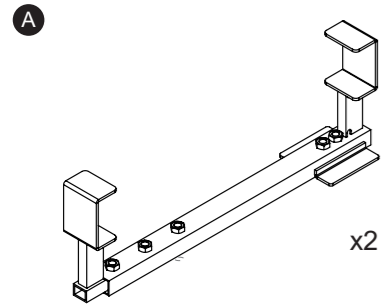


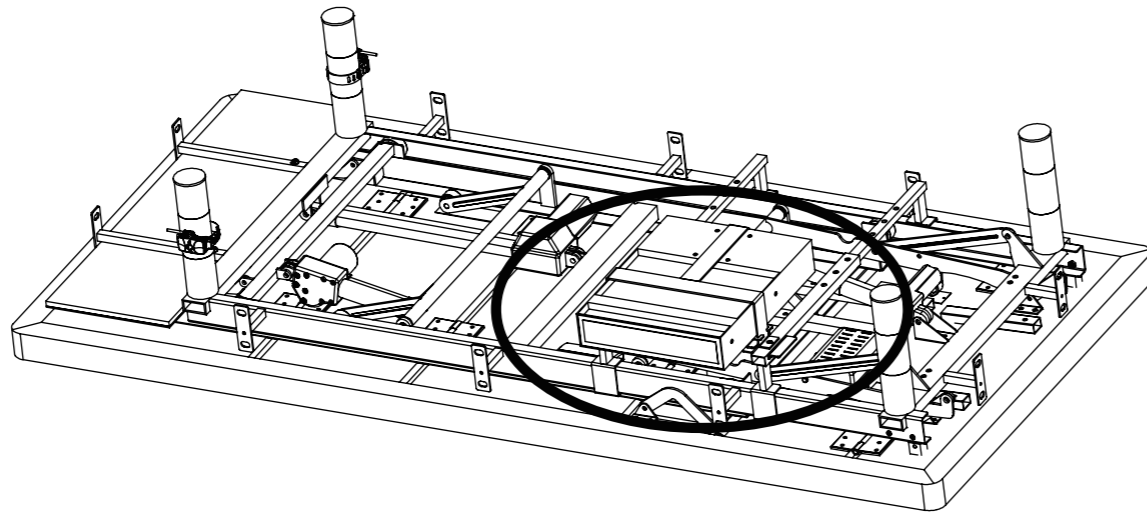
INCLUDED
SS600



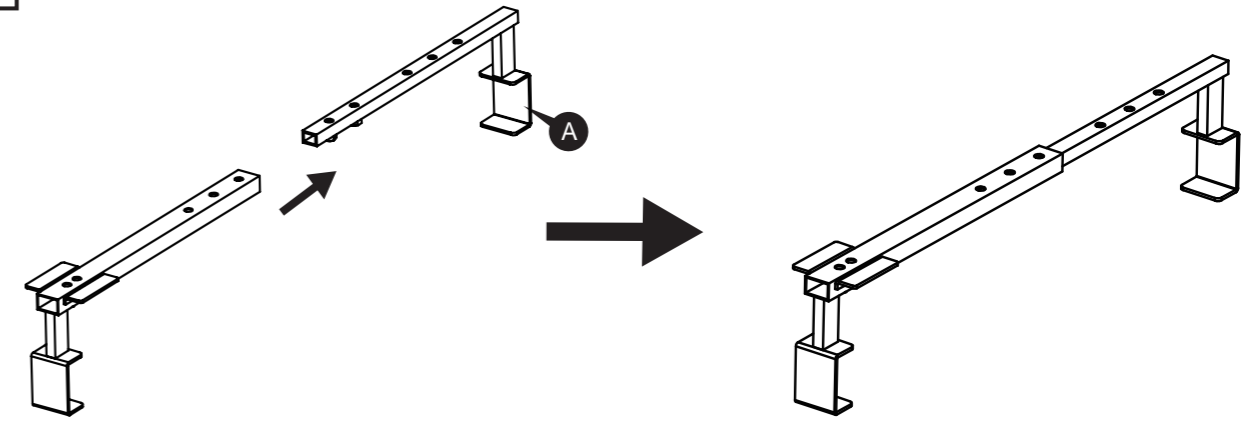
Installation for SleepSaafe on model:SS600nx

To install the SleepSafe properly:

1. Turn the base over (requires 2-persons)
2. Orient the SleepSafe in between the legs of the head section and middle section (as shown)
3. Place mounting brackets on frame and mark which hole align for size of base

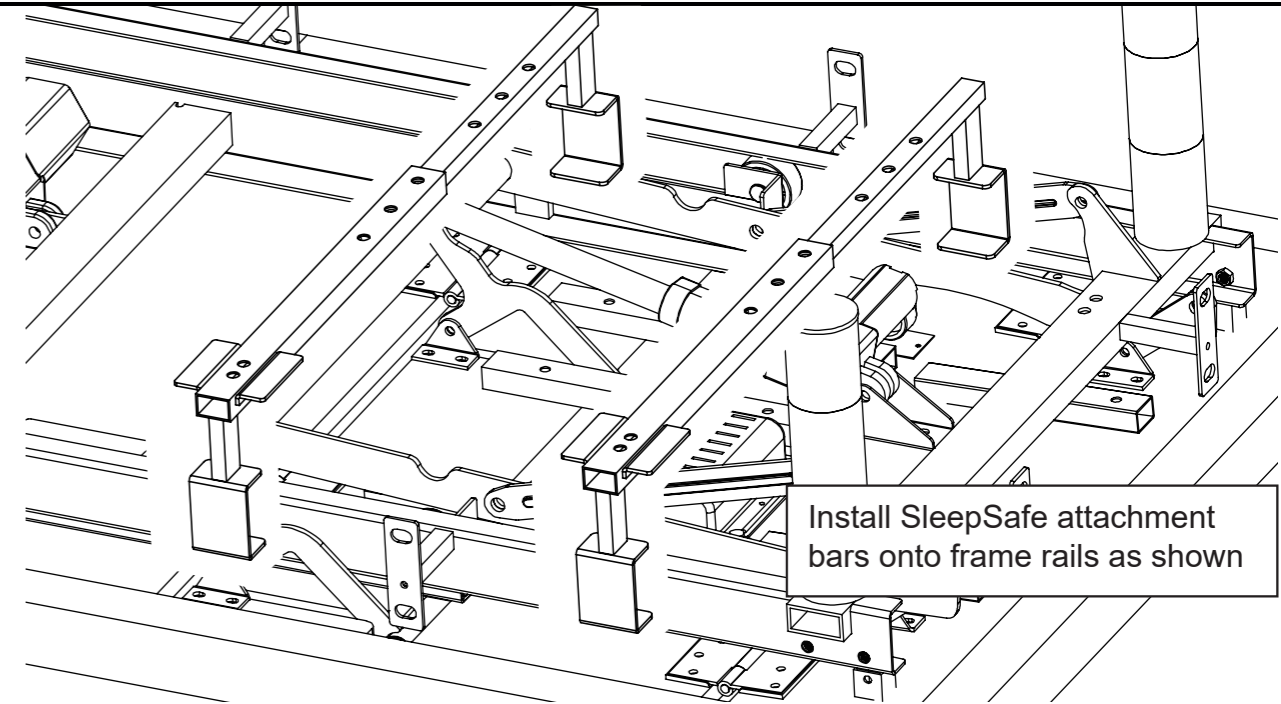


1

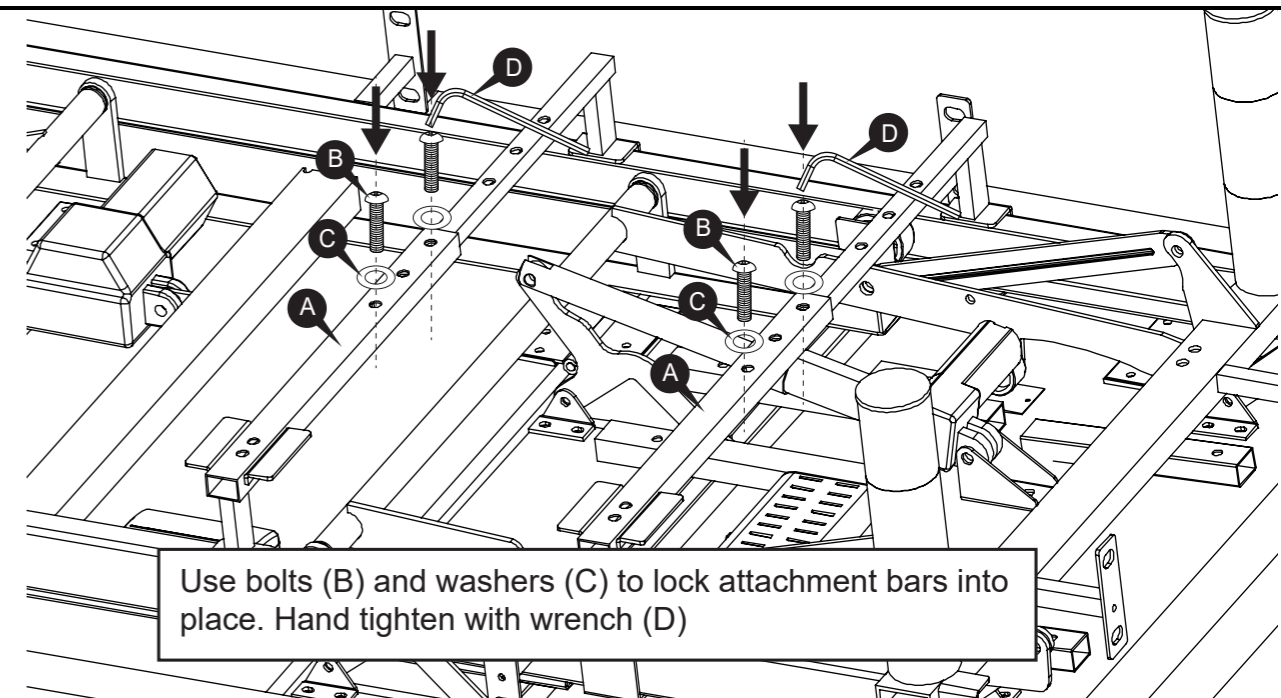


NOTE: Bars must be oriented with (2) holes at end on the side of bed where SleepSafe will be installed

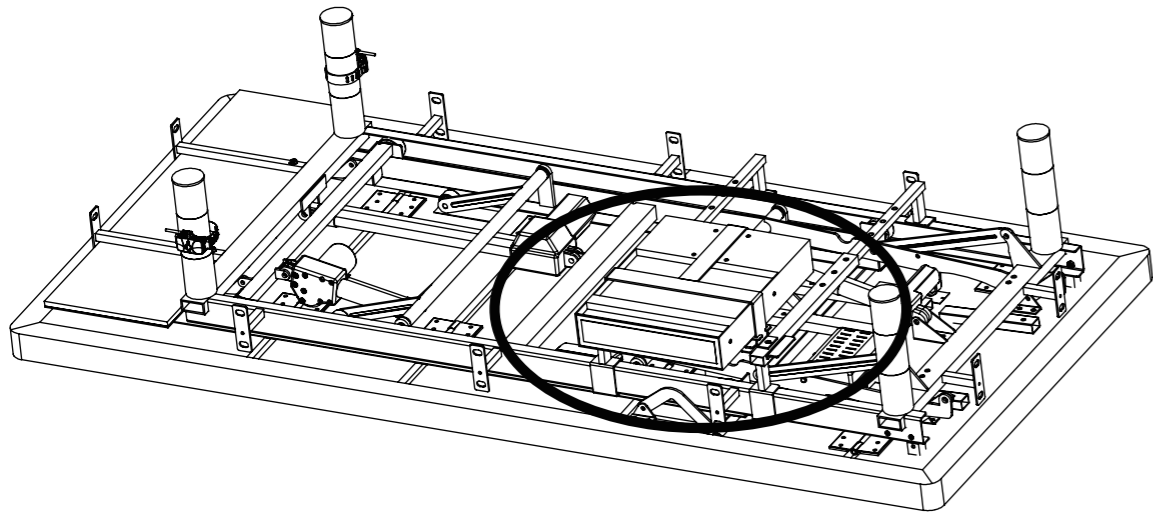
2



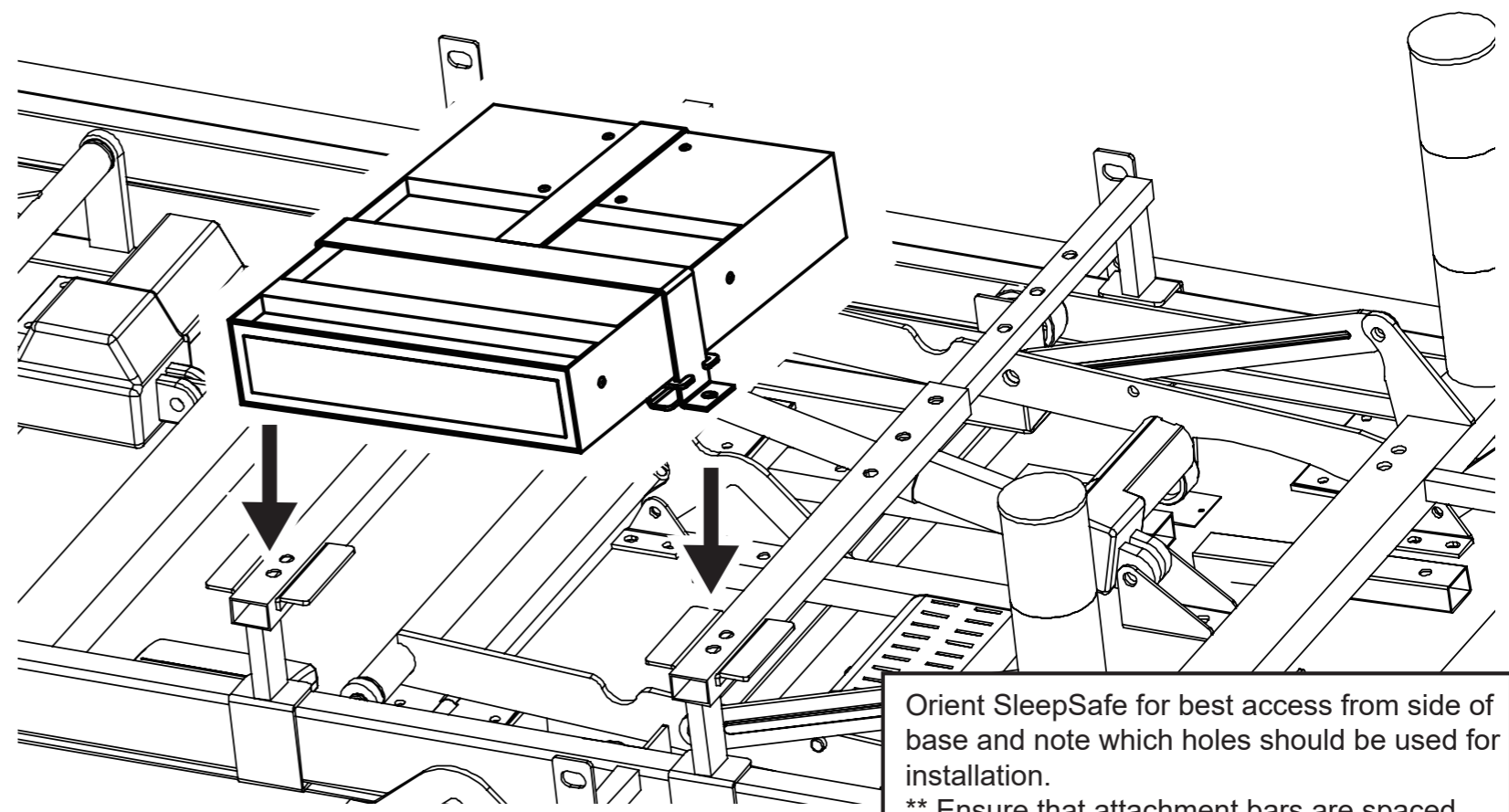
3



Use bolts (B) and washers (C) to lock attachment bars into place. Hand tighten with wrench (D)

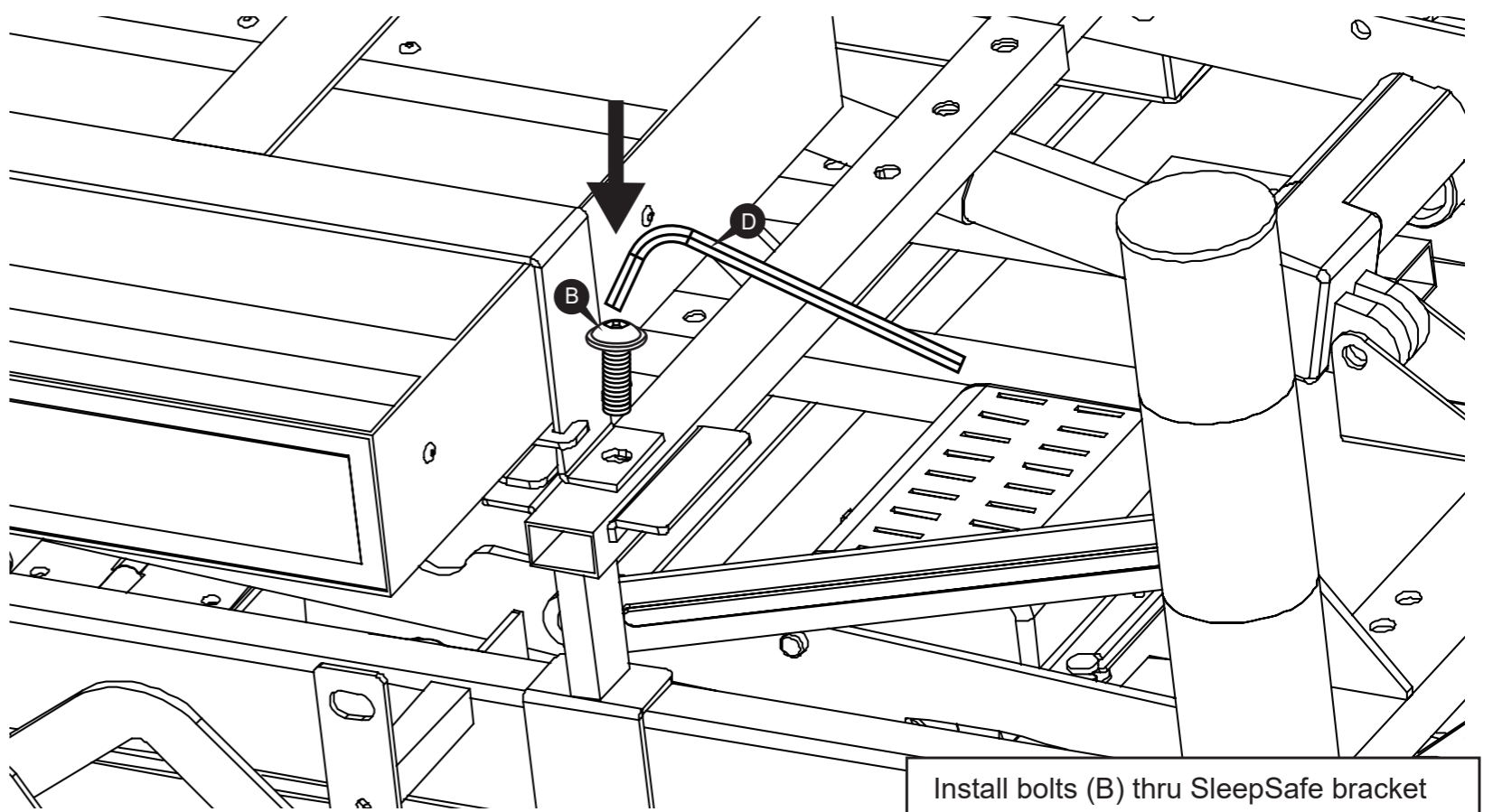


4



Orient SleepSaafe for best access from side of base and note which holes should be used for installation.
** Ensure that attachment bars are spaced apart for attachment bar/SleepSaafe bracket hole alignment.

5



Install bolts (B) thru SleepSaafe bracket and into attachment bar. Use wrench (D) to hand tighten for secure fit.