

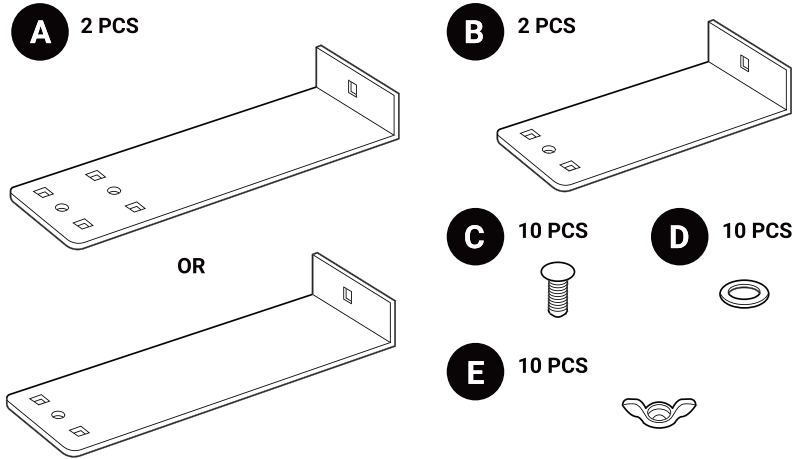
MULTIFUNCTION BRACKETS

QUICK START GUIDE

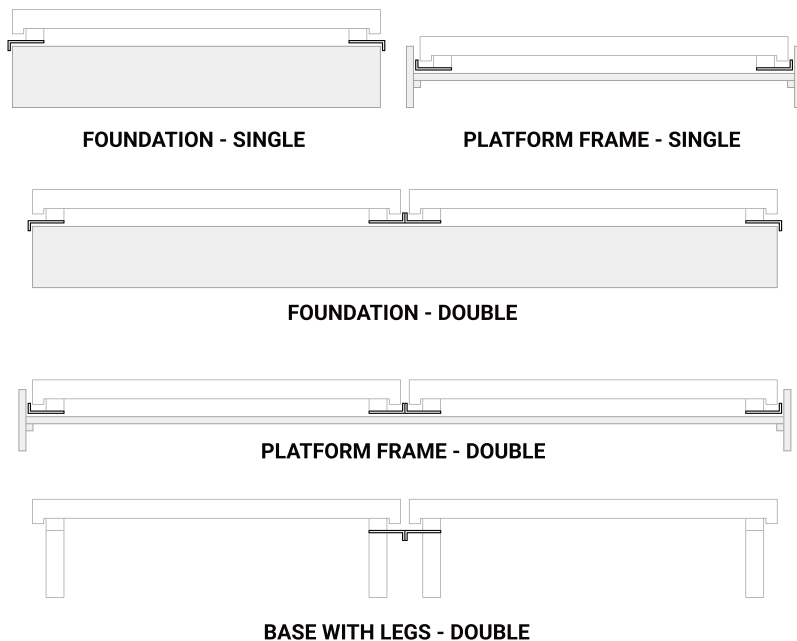
Model:
100N & 200N
400E/500E/600E/SS300 (T/TXL/SQ/SCK)
400E/500E/600E/SS300 (F/Q/K)

SKU#
9.04.5190000
9.04.5192000
9.04.5191000

PARTS INCLUDED



HOW TO ALIGN THE MULTIFUNCTION BRACKETS



! IMPORTANT

Check your foundation or platform bed's weight capacity with the manufacturer before installing the platform brackets on your adjustable base.

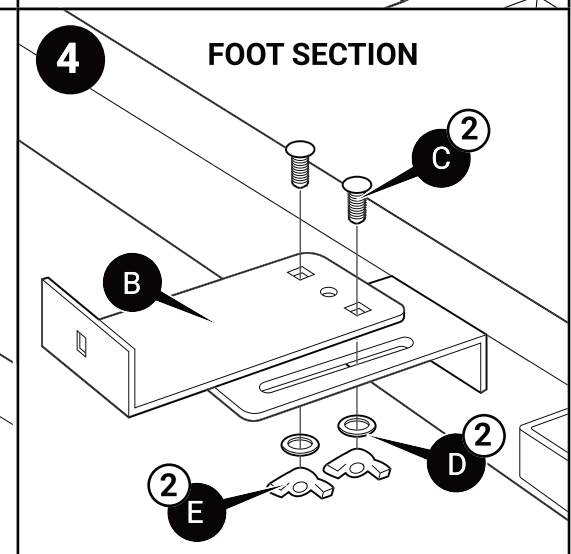
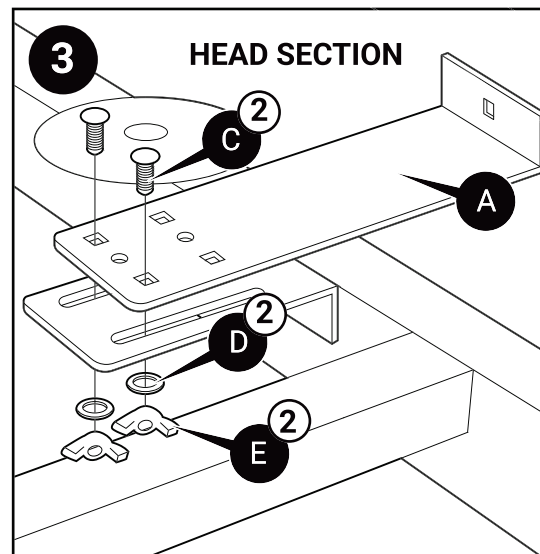
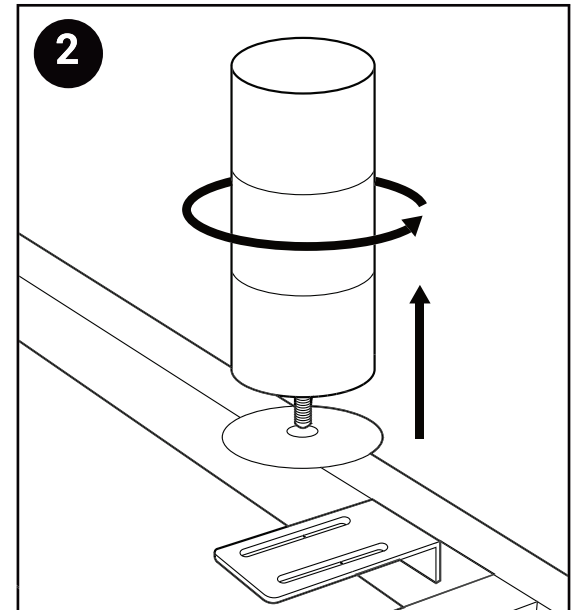
WARNING

When using a platform frame or foundation, do not use the platform brackets with the Elevation Kit or headboard brackets installed on your adjustable base. Doing so will void the base's warranty.

1 Turn your adjustable base over. Do not lean base against legs when turning over.

Determine the placement and position of each bracket using the "How To Align The Multifunction Brackets" chart on the left.

If installing the brackets to connect two bases with legs, you do not need to remove the legs (Step 2) or install brackets on the outside of the bases (Step 3 and Step 4).



! IMPORTANT

Check your foundation or platform bed's weight capacity with the manufacturer before installing the platform brackets on your adjustable base.

WARNING

When using a platform frame or foundation, do not use the platform brackets with the Elevation Kit or headboard brackets installed on your adjustable base. Doing so will void the base's warranty.

5 Turn the adjustable base over and set within or on top of the platform bed or foundation.

6 CONNECTING TWO BASES

When connecting two bases, turn each of the adjustable bases over and set within or on top of the platform bed or foundation.

If installing the brackets to connect two bases with legs, do not lean base against legs when turning over.

Leave a half inch between the bases.

7 Fully raise both the head and foot sections of each adjustable base you want to connect.

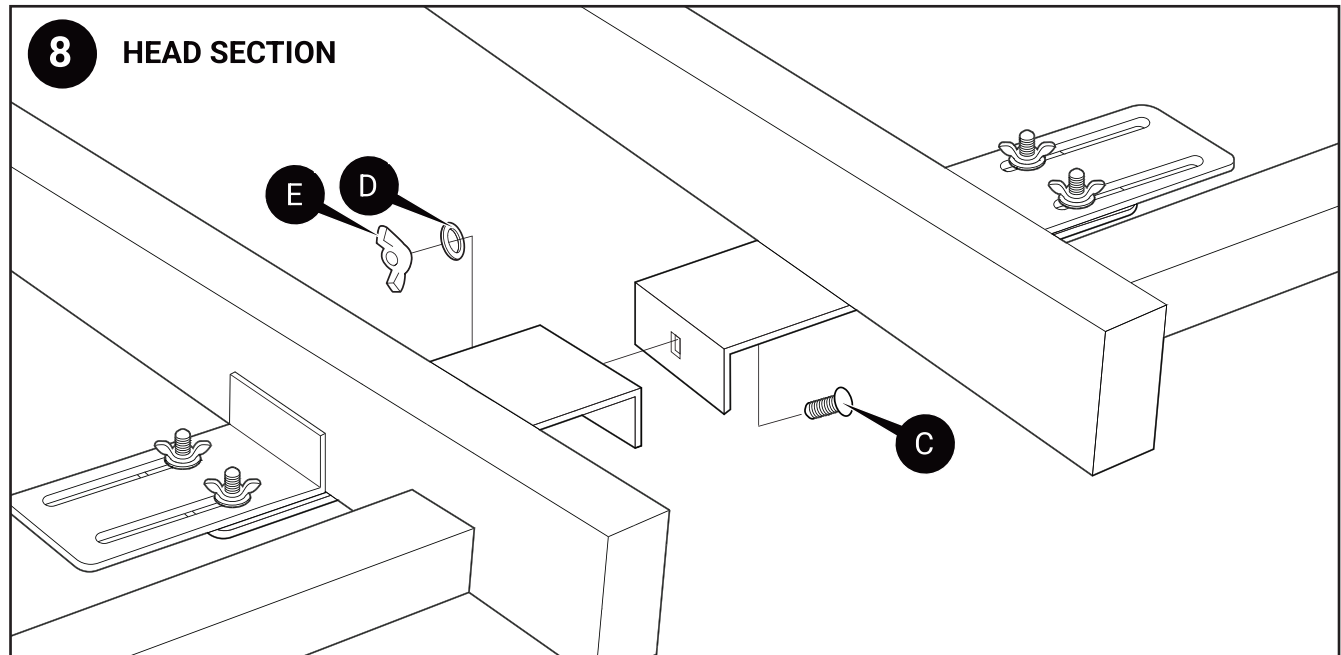
Confirm position of the connecting brackets using the "How To Align The Multifunction Brackets" chart on the front of these instructions.

Owner's manual and warranty information are available at symphonysleep.com

Customer Service
314-499-8869

Warranty Service
888-821-1555

8 HEAD SECTION



9 FOOT SECTION

